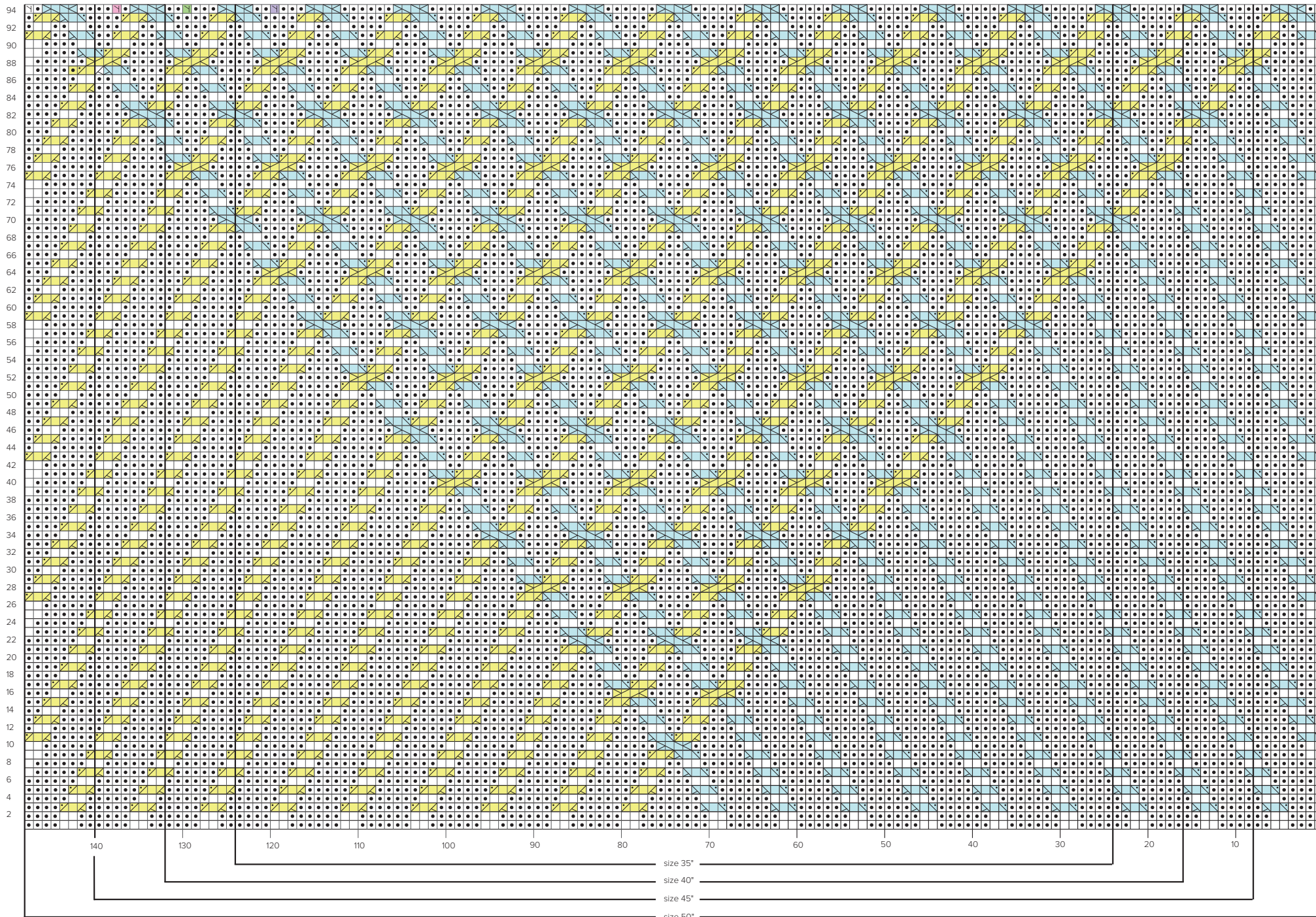

















CHARTS AND KEY FOR VIDJE

BACK PANEL



-  RS: knit / WS: purl
-  RS: purl / WS: knit
-  pattern repeat
-  size 35" kfb / all other sizes purl
-  size 40" kfb / sizes 45" and 50" purl
-  size 45" kfb / size 50" purl
-  size 50" kfb
-  sl 1 to cn and hold to front, k1, k1 from cn
-  sl 1 to cn and hold to back, k1, k1 from cn
-  sl 2 to cn and hold to front, p1, k2 from cn
-  sl 1 to cn and hold to back, k2, p1 from cn
-  RS: sl 2 to cn and hold to front, k2, k2 from cn
-  WS: sl 2 to cn and and hold to front, p2, p2 from cn
-  RS: sl 2 to cn and hold to back, k2, k2 from cn
-  WS: sl 2 to cn and hold to back, p2, p2 from cn

